

# User Manual

office<sup>pro</sup>

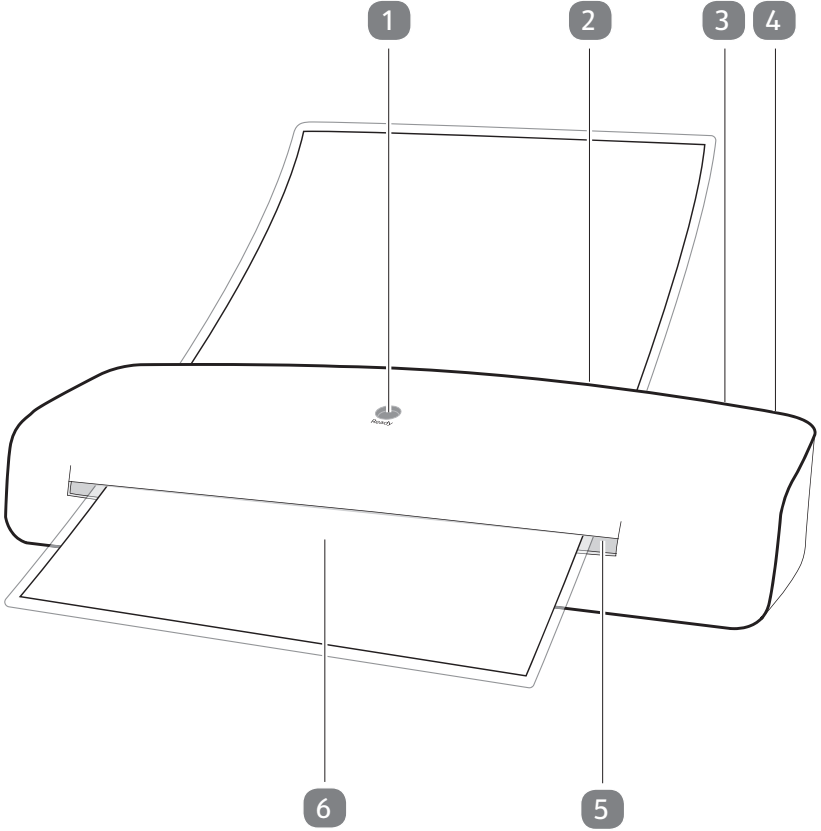
## A4 LAMINATOR

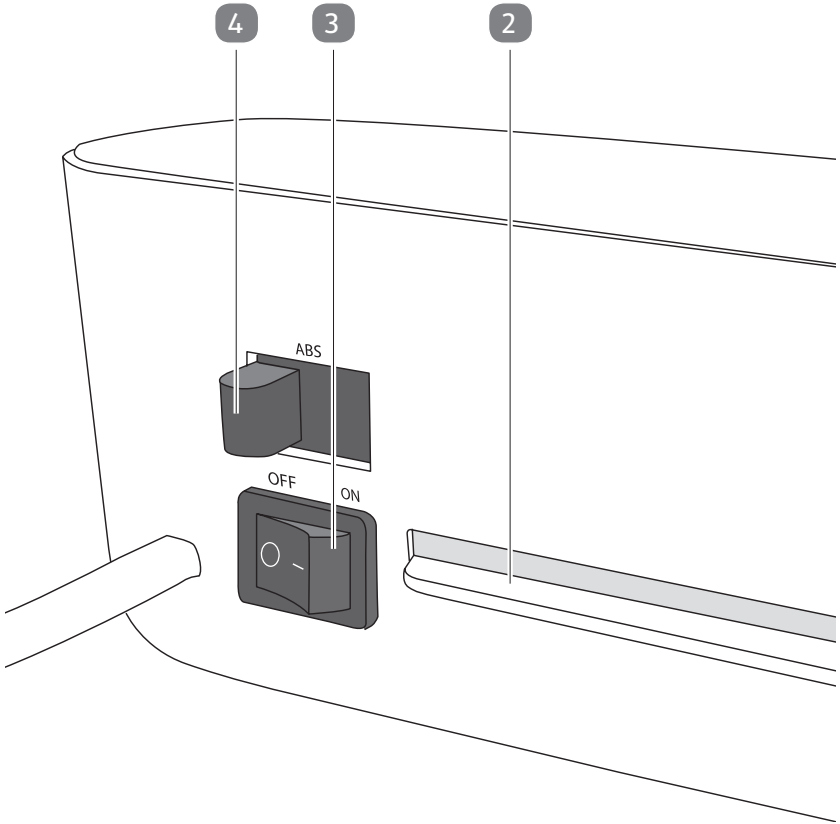


# Contents

<b>Overview .....</b>	<b>3</b>
<b>Use.....</b>	<b>4</b>
<b>Package contents / device parts.....</b>	<b>6</b>
<b>General information.....</b>	<b>7</b>
Reading and storing the user manual .....	7
Explanation of symbols .....	7
<b>Safety .....</b>	<b>8</b>
Proper use.....	8
Safety instructions.....	8
<b>First use.....</b>	<b>12</b>
Checking the laminator and package contents .....	12
Setting up the laminator .....	12
Activating / deactivating the laminator .....	12
<b>Operation.....</b>	<b>13</b>
Laminating.....	13
Removing a jammed laminating pouch .....	14
<b>Cleaning.....</b>	<b>14</b>
Cleaning the heating rollers .....	15
<b>Storage .....</b>	<b>15</b>
<b>Technical data .....</b>	<b>16</b>
<b>Disposal.....</b>	<b>16</b>
Disposing of the packaging .....	16
Disposing of old devices .....	16
<b>Warranty details.....</b>	<b>17</b>
<b>Repair and refurbished goods or parts notice .....</b>	<b>18</b>

A







## Package contents / device parts

- 1 Ready indicator
- 2 Laminating pouch infeed slot
- 3 ON / OFF switch
- 4 ABS switch (antiblocking system)
- 5 Laminating pouch output slot
- 6 Laminating pouch (not included)

# General information

## Reading and storing the user manual



This user manual accompanies this A4 laminator (hereafter referred to as “laminator”). It contains important information on setup and handling.

Before using the laminator, read the user manual carefully. This particularly applies to the safety notes. Failure to do so may result in personal injury or damage to the laminator.

Store the user manual for future use. Make sure to include this user manual when passing the laminator on to third parties. The user manual can also be downloaded from our website as a PDF file at [www.monolith-support.com](http://www.monolith-support.com).

## Explanation of symbols

The following symbols and signal words are used in this user manual, on the laminator or on the packaging.



**WARNING!**

This signal symbol/word designates a hazard with moderate risk, which may result in death or severe injury if not avoided.

**NOTICE!**

This signal word warns of possible damage to property.



This symbol provides you with useful additional information on handling and use.



N5586

The RCM Mark (Regulatory Compliance Mark) indicates that the product complies with the relevant guidelines of the ACMA as well as corresponding government requirements for the safety of electrical devices.



Read the user manual.



The symbol indicates that the product is of CLASS II (double insulated) construction. It does not require a safety connection to electrical earth (ground).



Only use the laminator in indoor areas.

# Safety

## Proper use

The laminator is only designed for laminating. It is only intended for private use and not suitable for commercial purposes.

Only use the laminator as described in this user manual. Any other use is deemed improper and may result in damage to property or even personal injury. The laminator is not a children's toy.

The manufacturer or vendor accepts no liability for damage caused by improper or incorrect use.

## Safety instructions



### **Risk of electric shock!**

A faulty electrical installation, excessive line voltage or incorrect operation may result in an electric shock.

- Only connect the laminator in indoor areas to a properly installed AC 240 V socket with a protective conductor.
- Plug adapters or extension cords must also be equipped with a protective conductor.
- Only connect the laminator to an easily accessible socket so that you can quickly disconnect it from the mains in case of a failure.
- Do not operate the laminator if it is visibly damaged or if the mains cord or mains plug is defective.
- If the mains cord of the laminator is damaged, the manufacturer, its customer service team or a person with technical qualifications must replace it.
- Do not open the housing; instead, have a qualified professional perform the repairs. Contact the service address provided on the warranty card. Liability and warranty claims are waived in the event of repairs or conversions performed by the user, improper connection of the device or incorrect operation.



- 
- Only parts that comply with the original device data may be used for repairs. Electrical and mechanical parts, which are essential for providing protection against sources of danger, are located in this laminator.
  - Do not operate the laminator with an external timer or separate telecontrol system.
  - Do not immerse the laminator or the mains cord or mains plug in water or other liquids.
  - Never touch the mains plug with damp hands.
  - Do not perform any other work (such as cleaning) on the laminator while it is operating.
  - Never pull the mains plug out of the socket by the mains cord; instead, always do so by taking hold of the mains plug.
  - Never use the mains cord as a carrying handle.
  - Keep the laminator, mains plug and mains cord away from open flames and hot surfaces.
  - Lay the mains cord so that it does not pose a tripping hazard.
  - Do not kink the mains cord and do not lay it over sharp edges.
  - Only use the laminator in indoor areas. Do not use them in wet rooms or in the rain.
  - Never store the laminator so that it is at risk of falling into a bath tub or washbasin.
  - Never reach to retrieve the laminator if it has fallen in water. In such a case, immediately disconnect the mains plug.
  - Make sure that children do not insert any objects into the laminator.
  - Always switch the laminator off and pull the mains plug out of the socket when you are not using the laminator, cleaning it or in the event of a fault.



**WARNING!**

**Danger for children and persons with impaired physical, sensory or mental capacities (e.g. partially disabled persons, older persons with reduced physical and mental capacities) or lack of experience and knowledge (e.g. older children).**

- This laminator may be used by persons with impaired physical, sensory or mental capacities or those lacking experience and knowledge if they are supervised or have been instructed in how to safely use the laminator and have understood the risks associated with operating it. Children must not play with the laminator. Cleaning and user maintenance must not be performed by children.
- Keep children away from the laminator and connector cable.
- Do not leave the laminator unattended while it is operating and do not perform any other activities during operation.
- Do not allow children to play with the packaging wrapper. Children may get caught in it when playing and suffocate.
- Keep the laminator away from pets.
- Clearly advise other users of the risks.

**NOTICE!**

**Risk of damage!**

Improper handling of the laminator may damage the laminator.

- Place the laminator on an easily accessible, level, dry, heat-resistant and sufficiently stable work surface. Do not place the laminator on the edge of the work surface.
- Avoid the build-up of heat by not placing the laminator directly up against a wall or under cupboards or similar.
- Protect the laminator from direct sunlight.

- 
- Never place the laminator on or near hot surfaces (e.g. stovetops, heaters etc.).
  - Ensure that the mains cord does not come into contact with hot parts.
  - Never expose the laminator to high temperatures (heaters etc.) or to the effects of the weather (rain etc.).
  - Never laminate damp documents or organic objects (e.g. flowers, leaves etc.).
  - Do not cut the laminating pouches into pieces before laminating and do not in any case cut off the sealed edges from the laminating sheets.
  - Stop using the laminator if its plastic parts exhibit cracks or breaks or are deformed. Only replace damaged parts with corresponding original spare parts.
  - Only laminate at room temperature (approx. 10–25 °C).
  - Never insert metallic objects (e. g. paper clips, staples etc.) or objects other than laminating pouches which are intended for this laminator into the laminating pouch infeed slot.
  - The laminator has vents. Never cover them with other objects such as magazines, blankets or similar.
  - Never fill the laminator with liquid.
  - Never attempt to clean the laminator by immersing it in water and do not use a steam cleaner to clean it. Otherwise, you could damage the laminator.

## First use

### Checking the laminator and package contents

#### NOTICE!

#### Risk of damage!

If you are not cautious when opening the packaging with a sharp knife or other pointy object, you may quickly damage the laminator.

– Therefore, be very careful when opening the packaging.

1. Take the laminator out of the packaging.
2. Check whether the laminator or the individual parts exhibit damage. If this is the case, do not use the laminator. Contact the manufacturer at the service address specified on the warranty card.
3. Check to make sure that the delivery is complete (see **Fig. A**).

### Setting up the laminator

1. Position the laminator so that there is enough space to insert a laminating pouch **6**. Do not position the laminator directly in front of a wall or other objects.
2. Connect the mains plug to a properly installed socket with a protective conductor (AC 240 V / 50 Hz = house connection).

### Activating / deactivating the laminator

1. Move the ON / OFF switch **3** to “**ON**” (—) to switch the laminator on.



The ready indicator **1** will turn from black to red once the laminator has reached the correct temperature for lamination.

The preheating time may vary depending on the ambient temperature and air humidity.

2. Move the ON / OFF switch to “**OFF**” (○) to switch the laminator off.

## Operation



### Risk of injury!

Handling the laminator improperly may result in injury.

- If an object (sleeves, tie etc.) is unintentionally taken into the laminating pouch infeed slot, immediately disconnect the mains plug.

### NOTICE!

### Risk of damage!

Improper handling of the laminator may lead to damage to the laminator or documents.

- Do not in any case laminate documents with a treated surface (e.g. fax or thermopaper, Polaroid pictures etc.) and papers with surfaces that may be altered through heat (tickets, ultrasonic scans etc.).
- Only use one laminating pouch per lamination, as laminating pouches may stick tightly together.
- Do not leave any laminating pouches in or next to the laminator after lamination.



When using the laminator, a slight odour may be produced. Ensure there is sufficient ventilation in the room, e.g. by opening windows.

## Laminating

1. Move the ON/OFF switch **3** to “ON” (—) (see **Fig. B**).  
The ready indicator **1** will turn from black to red within the next 1½–2 minutes.
2. Once the ready indicator is red, place the document between the two sides of a laminating pouch **6** (not included).  
Make sure that the document is flush with and aligned as close as possible to the sealed edge of the laminating pouch.
3. Insert the laminating pouch so that it is centred and with the closed-edge first into the laminating pouch infeed slot **2** on the back of the laminator.

The heating rollers will automatically pull the laminating pouch in and move it to the laminating pouch output slot **5** on the front of the laminator. Do not use force to pull out the laminating pouch.

4. Remove the laminating pouch and let it cool off briefly on a flat surface.



- If necessary, you can cut off excessive material after it has cooled off.
- Repeat the process if the laminating pouch has not adequately adhered to the document.

5. Move the ON / OFF switch to “**OFF**” (○) to switch the laminator off.

## Removing a jammed laminating pouch

The laminator is equipped with an antiblocking system. If the laminating pouch was not inserted straight or it becomes jammed in the laminator, proceed as follows:

1. Move the ABS switch **4** towards the laminating pouch infeed slot **2** and hold it down (see **Fig. B**).
2. Pull the laminating pouch **6** out of the laminator.



It is recommended you pull the laminating pouch out in the direction of its larger end.

You can place the document in a new laminating pouch and laminate it again.

## Cleaning



### **Burn hazard!**

The laminator will become hot during operation. You may burn yourself.

- Always let the laminator cool off completely before you clean it.

### **NOTICE!**

### **Risk of short circuit!**

Water or other liquids that have penetrated the housing may cause a short circuit.

- Never submerge the laminator in water or other liquids.

- Make sure that no water or other liquids penetrate the housing.

### NOTICE!

#### **Risk of damage!**

Improper handling of the laminator may result in damage to the laminator.

- Do not use any aggressive cleaners, brushes with metal or nylon bristles, sharp or metallic cleaning utensils such as knives, metal sponges and the like. They could damage the surfaces.
  - Do not in any case place the laminator in the dishwasher. It would be destroyed as a result.
1. Disconnect the mains plug before cleaning.
  2. Let the laminator cool off completely.
  3. Use a damp cloth to wipe off the laminator. Let all parts dry completely afterwards.

#### **Cleaning the heating rollers**

1. Switch the laminator on by moving the ON / OFF switch **3** to “**ON**” (—).
2. Once the ready indicator **1** turns red, fold a sheet of paper and insert it, folded-edge first, into the laminating pouch in feed slot **2**.
3. Keep repeating this process until no more glue deposits cling to the paper.
4. Switch the laminator off by moving the ON / OFF switch to “**OFF**” (○).

#### **Storage**

### NOTICE!


#### **Risk of damage!**

Improper storage of the laminator may result in damage to the laminator.

- Never store the laminator next to a heat source.
- Do not fold or kink the mains cord.

- Only stow the laminator if it is dry.
- Always store the laminator in a clean, dry area that it is protected from direct sunlight and is not accessible for children.
- Use the original packaging for storage.

## Technical data

Model:	OL 250-L-17
Product code:	95490
Model colour:	white / grey mat
Mains voltage:	AC 240 V / 50 Hz
Power consumption:	550 W; 2.4 A / 60 W; 0.25 A
Protection class:	II 
Weight:	approx. 1.1 kg
Dimensions (W × D × H):	352 mm × 117 mm × 76 mm
Preheating time:	1½–2 min.
Pouch thickness:	80 mic to 125 mic
Operating speed:	400 mm / min.
Laminating temperature:	approx. 135 °C
Maximum film width:	up to A4
Rolling mechanism:	2 rollers
Lamination:	hot lamination
Ready indicator:	indicator with thermo-transfer technology
ABS function:	yes

Technical changes reserved.

## Disposal

### Disposing of the packaging

- Dispose of the packaging separated into single type materials. Dispose of cardboard and carton as waste paper and foils via the recyclable material collection service.

### Disposing of old devices

#### **Old devices may not be disposed of in the household waste!**

- Should the laminator no longer be capable of being used at some point in time, dispose of it in accordance with the regulations in force in your state or country.
- Please ensure your recycling information applies to the local regulations.





office<sup>pro</sup>

**A4 Laminator**

## **Warranty Details**

---

REGISTER YOUR PURCHASE AT [www.aldi.com.au/en/about-aldi/product-registration/](http://www.aldi.com.au/en/about-aldi/product-registration/)  
TO KEEP UP-TO-DATE WITH IMPORTANT PRODUCT INFORMATION


---

The product is guaranteed to be free from defects in workmanship and parts for a period of 36 months from the date of purchase. Defects that occur within this warranty period, under normal use and care, will be repaired, replaced or refunded at our discretion. The benefits conferred by this warranty are in addition to all rights and remedies in respect of the product that the consumer has under the Competition and Consumer Act 2010 and similar state and territory laws.

Our goods come with guarantees that cannot be excluded under the Australian Consumer Law. You are entitled to a replacement or refund for a major failure and for compensation for any other reasonably foreseeable loss or damage. You are also entitled to have the goods repaired or replaced if the goods fail to be of acceptable quality and the failure does not amount to a major failure.

---

### **AFTER SALES SUPPORT**

 **AUS** 1 800 623 432 (free hotline)

 [www.protel-service.com](http://www.protel-service.com)





office<sup>pro</sup>

A4 Laminator

## Repair and Refurbished Goods or Parts Notice

---

REGISTER YOUR PURCHASE AT [www.aldi.com.au/en/about-aldi/product-registration/](http://www.aldi.com.au/en/about-aldi/product-registration/)  
TO KEEP UP-TO-DATE WITH IMPORTANT PRODUCT INFORMATION

---

Unfortunately, from time to time, faulty products are manufactured which need to be returned to the Supplier for repair.

Please be aware that if your product is capable of retaining user-generated data (such as files stored on a computer hard drive, telephone numbers stored on a mobile telephone, songs stored on a portable media player, games saved on a games console or files stored on a USB memory stick) during the process of repair, some or all of your stored data may be lost.

**We recommend you save this data elsewhere prior to sending the product for repair.**

You should also be aware that rather than repairing goods, we may replace them with refurbished goods of the same type or use refurbished parts in the repair process.

**Please be assured though, refurbished parts or replacements are only used where they meet ALDI's stringent quality specifications.**

If at any time you feel your repair is being handled unsatisfactorily, you may escalate your complaint. Please telephone us on 1 800 623 432 (Mon–Fri, 8 a.m.–5 p.m.) or write to us at:

QSL

Rear Unit 11, Slough Business Park,  
2 Slough Avenue, (off Rachael Close)

Silverwater, NSW 2128

AUSTRALIA

E-mail: [service@protel-service.com](mailto:service@protel-service.com)

---

### AFTER SALES SUPPORT

1 800 623 432 (free hotline)

[www.protel-service.com](http://www.protel-service.com)

**3**

**YEAR  
WARRANTY**

ALDI guarantees that our exclusive brand products are developed to our stringent quality specifications. If you are not entirely satisfied with this product, please return it to the nearest ALDI store within 60 days from the date of purchase, for a full refund or replacement, or take advantage of our after sales support by calling the supplier's Customer Service Hotline.



### **Made in China**

office pro® is a registered trademark of ALDI Stores

DISTRIBUTED BY:

ALDI STORES

1 SARGENTS ROAD

MINCHINBURY NSW 2770

[www.aldi.com.au](http://www.aldi.com.au)

#### **AFTER SALES SUPPORT**

95490 



 **1 800 623 432 (free)**



**[www.protel-service.com](http://www.protel-service.com)**

MODEL: OL 250-L-17

01/18

**3**  
YEAR  
WARRANTY